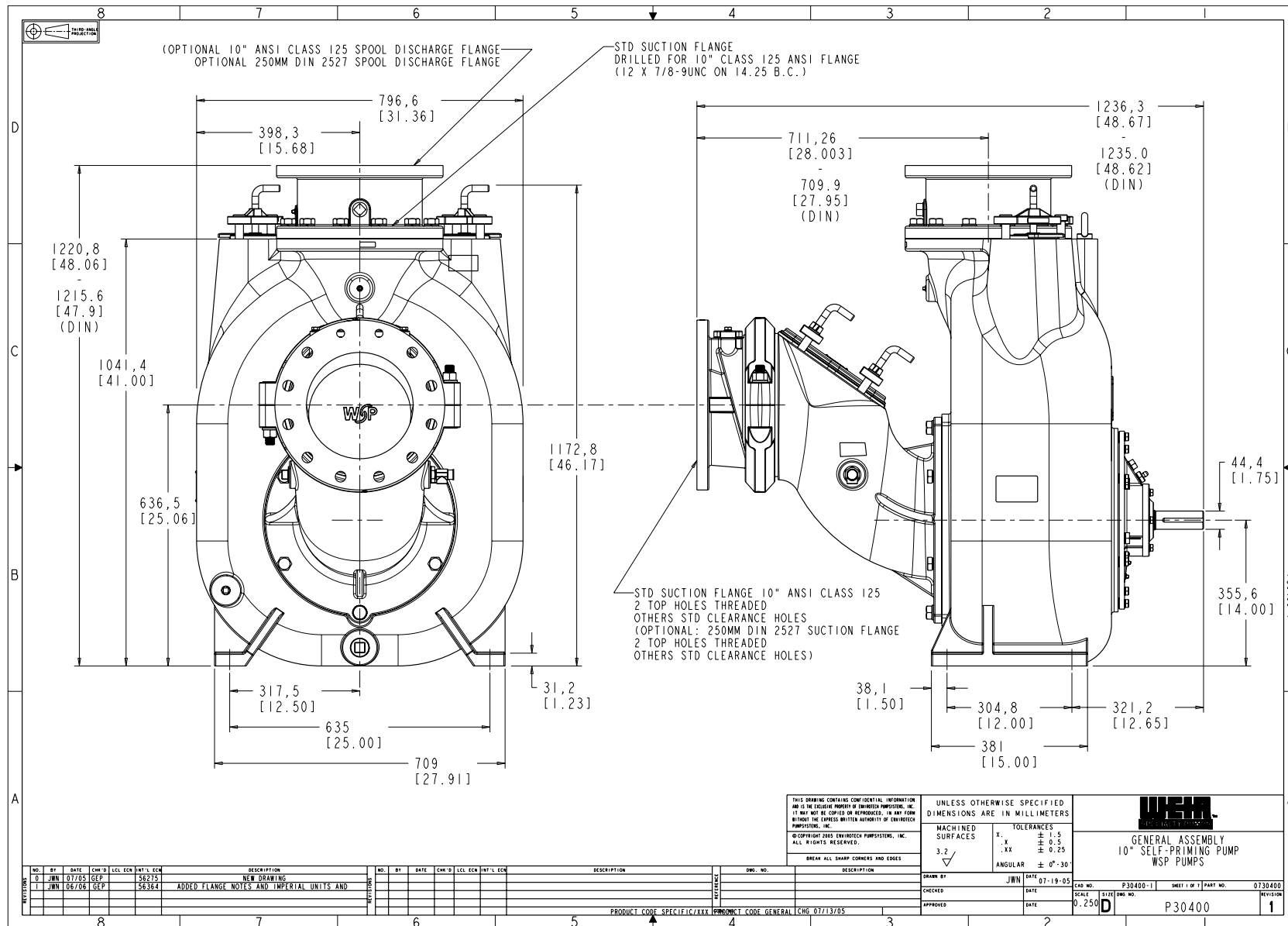


# 10" WSP General Arrangement Drawing



THIS DRAWING CONTAINS CONFIDENTIAL INFORMATION AND IS THE EXCLUSIVE PROPERTY OF ENVIROTECH PUMPSYSTEMS, INC. IT MAY NOT BE COPIED OR REPRODUCED, IN ANY FORM, WITHOUT THE EXPRESS WRITTEN AUTHORITY OF ENVIROTECH PUMPSYSTEMS, INC.

© COPYRIGHT 2005 ENVIROTECH PUMPSYSTEMS, INC. ALL RIGHTS RESERVED.

BREAK ALL SHARP CORNERS AND EDGES

UNLESS OTHERWISE SPECIFIED DIMENSIONS ARE IN MILLIMETERS

MACHINED SURFACES	TOLERANCES
x	± 1.5
.xx	± 0.25
.xxx	± 0.125
ANGULAR	± 0°-30'

**WEIR**  
GENERAL ASSEMBLY  
10" SELF-PRIMING PUMP  
WSP PUMPS

NO.	BY	DATE	CHK'D	LCL	ECN	INT'L	ECN	DESCRIPTION	NO.	BY	DATE	CHK'D	LCL	ECN	INT'L	ECN	DESCRIPTION	DWG. NO.	DESCRIPTION
0	JWN	07/05	SEP		56275			NEW DRAWING											
1	JWN	09/09	SEP		56264			ADDED FLANGE NOTES AND IMPERIAL UNITS AND											

PRODUCT CODE SPECIFIC/XXX ENVIRONMENT CODE GENERAL CHG 07/13/05

THROW BY: JWN DATE: 07-19-05  
 CHECKED: DATE: CAD NO.: P30400-1 SHEET 1 OF 1 PART NO.: 0730400  
 APPROVED: DATE: SCALE: 0.250 D SIZE: P30400 REVISION: 1