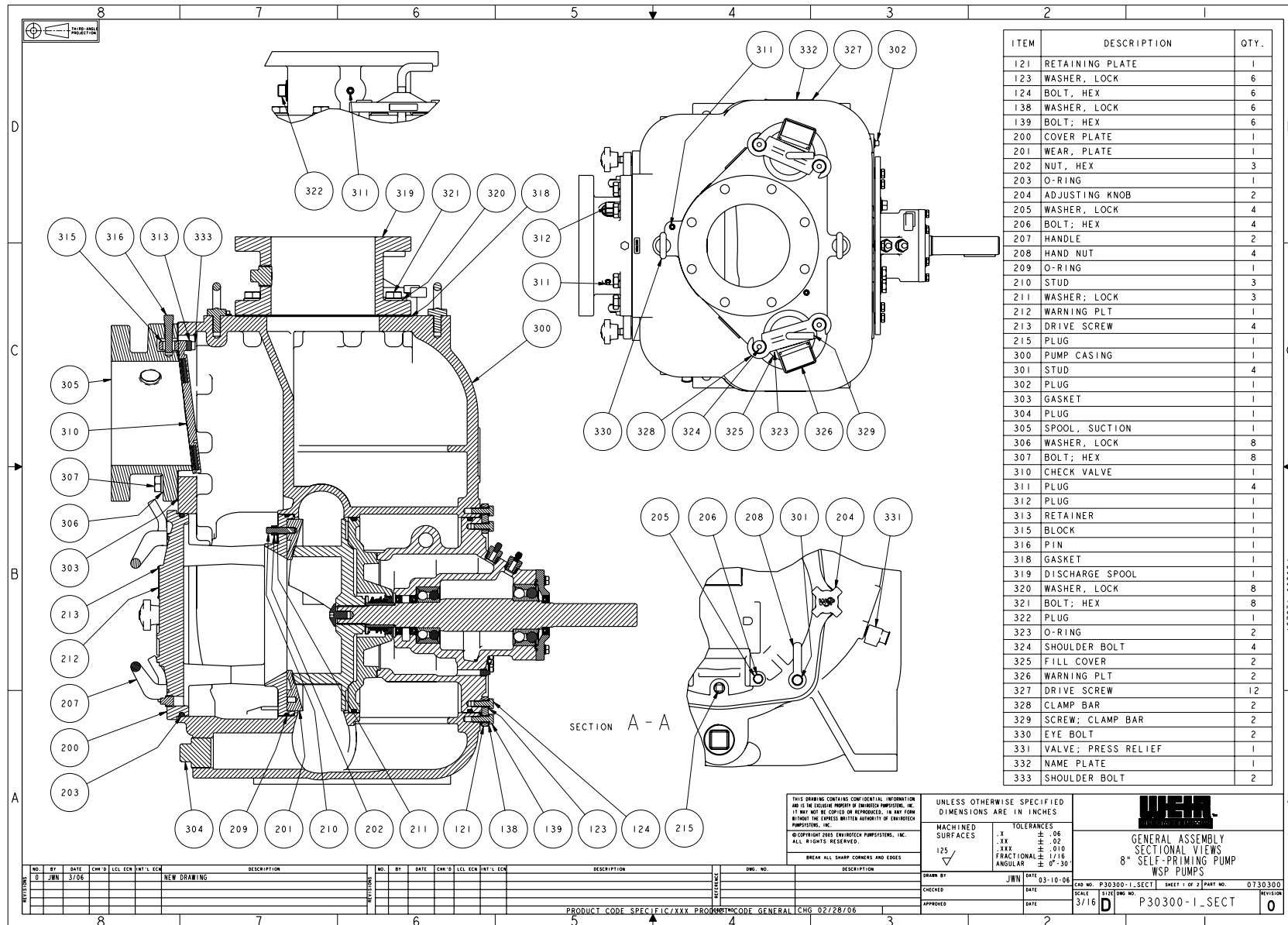
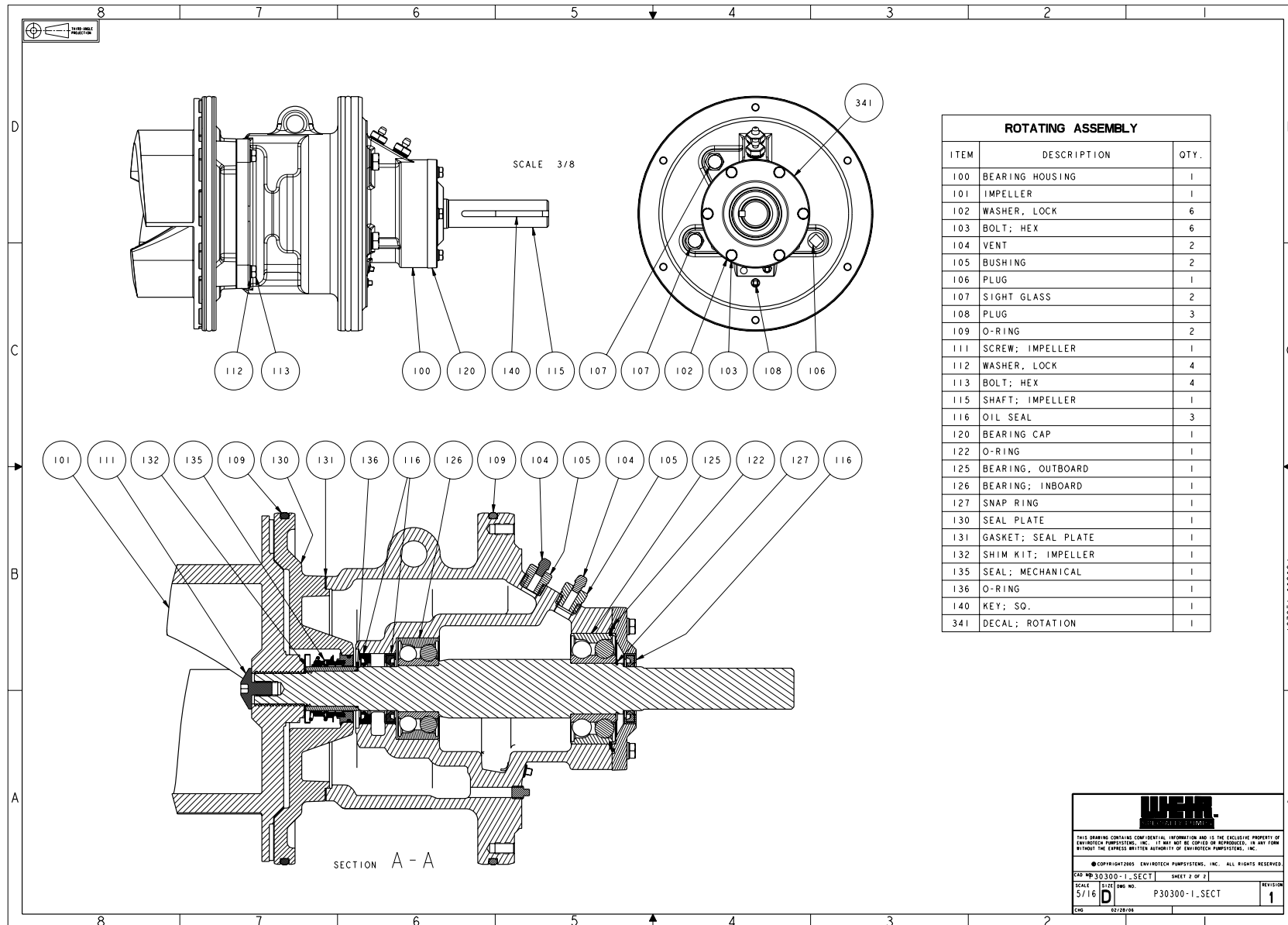


8" WSP Cross Section Drawing



8" WSP Cross Section Drawing



ROTATING ASSEMBLY		
ITEM	DESCRIPTION	QTY.
100	BEARING HOUSING	1
101	IMPELLER	1
102	WASHER, LOCK	6
103	BOLT; HEX	6
104	VENT	2
105	BUSHING	2
106	PLUG	1
107	SIGHT GLASS	2
108	PLUG	3
109	O-RING	2
111	SCREW; IMPELLER	1
112	WASHER, LOCK	4
113	BOLT; HEX	4
115	SHAFT; IMPELLER	1
116	OIL SEAL	3
120	BEARING CAP	1
122	O-RING	1
125	BEARING, OUTBOARD	1
126	BEARING; INBOARD	1
127	SNAP RING	1
130	SEAL PLATE	1
131	GASKET; SEAL PLATE	1
132	SHIM KIT; IMPELLER	1
135	SEAL; MECHANICAL	1
136	O-RING	1
140	KEY; SQ.	1
341	DECAL; ROTATION	1

WEIR
SPECIALTY PUMPS

THIS DRAWING CONTAINS CONFIDENTIAL INFORMATION AND IS THE EXCLUSIVE PROPERTY OF ENVROTECH PUMP SYSTEMS, INC. IT MAY NOT BE COPIED OR REPRODUCED, IN ANY FORM WITHOUT THE EXPRESS WRITTEN PERMISSION OF ENVROTECH PUMP SYSTEMS, INC.

© COPYRIGHT 2005 ENVROTECH PUMP SYSTEMS, INC. ALL RIGHTS RESERVED.

FIG NO	30300-1_SECT	SHEET 2 OF 2	REVISION
SCALE	5/16	30300-1_SECT	1
CHK	D		
	5/16		
	02/28/06		