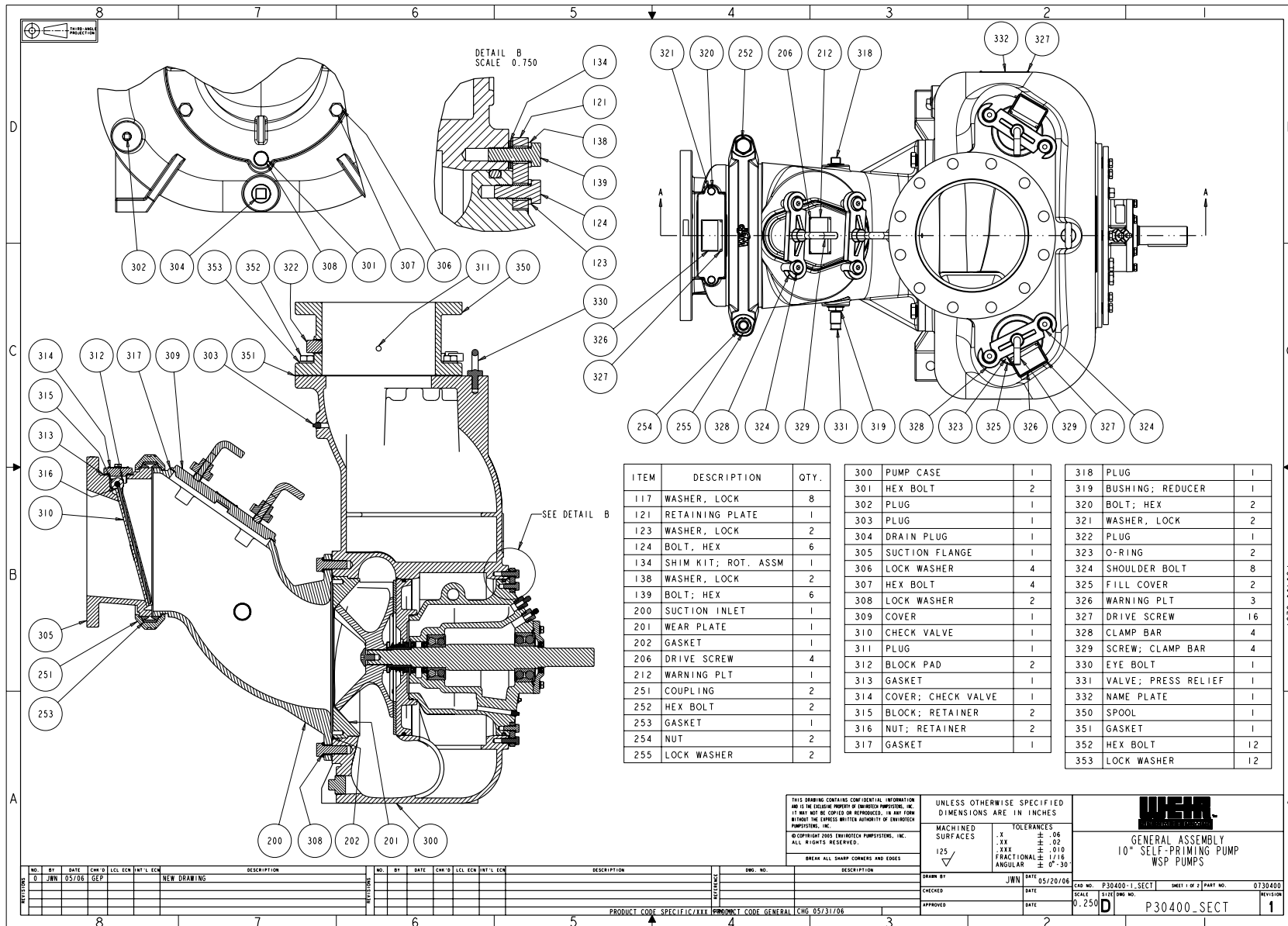


10" WSP Cross Section Drawing



ITEM	DESCRIPTION	QTY.	ITEM	DESCRIPTION	QTY.	ITEM	DESCRIPTION	QTY.
117	WASHER, LOCK	8	300	PUMP CASE	1	318	PLUG	1
121	RETAINING PLATE	1	301	HEX BOLT	2	319	BUSHING; REDUCER	1
123	WASHER, LOCK	2	302	PLUG	1	320	BOLT; HEX	2
124	BOLT, HEX	6	303	PLUG	1	321	WASHER, LOCK	2
134	SHIM KIT; ROT. ASSM	1	304	DRAIN PLUG	1	322	PLUG	1
138	WASHER, LOCK	2	305	SUCTION FLANGE	1	323	O-RING	2
139	BOLT; HEX	6	306	LOCK WASHER	4	324	SHOULDER BOLT	8
200	SUCTION INLET	1	307	HEX BOLT	4	325	FILL COVER	2
201	WEAR PLATE	1	308	LOCK WASHER	2	326	WARNING PLT	3
202	GASKET	1	309	COVER	1	327	DRIVE SCREW	16
206	DRIVE SCREW	4	310	CHECK VALVE	1	328	CLAMP BAR	4
212	WARNING PLT	1	311	PLUG	1	329	SCREW; CLAMP BAR	4
251	COUPLING	2	312	BLOCK PAD	2	330	EYE BOLT	1
252	HEX BOLT	2	313	GASKET	1	331	VALVE; PRESS RELIEF	1
253	GASKET	1	314	COVER; CHECK VALVE	1	332	NAME PLATE	1
254	NUT	2	315	BLOCK; RETAINER	2	350	SPOOL	1
255	LOCK WASHER	2	316	NUT; RETAINER	2	351	GASKET	1
			317	GASKET	1	352	HEX BOLT	12
						353	LOCK WASHER	12

THIS DRAWING CONTAINS CONFIDENTIAL INFORMATION AND IS THE EXCLUSIVE PROPERTY OF ENVIROTECH PUMPSYSTEMS, INC. IT MAY NOT BE COPIED OR REPRODUCED, IN ANY FORM, WITHOUT THE EXPRESS WRITTEN AUTHORITY OF ENVIROTECH PUMPSYSTEMS, INC.

© COPYRIGHT 2005 ENVIROTECH PUMPSYSTEMS, INC. ALL RIGHTS RESERVED.

BREAK ALL SHARP CORNERS AND EDGES

UNLESS OTHERWISE SPECIFIED DIMENSIONS ARE IN INCHES

MACHINED SURFACES	TOLERANCES
.X	± .06
.XX	± .02
.XXX	± .010
FRACTIONAL	± 1/16
ANGULAR	± 0°-30'

125

TRADE BY: JWN DATE: 05/20/06

CHECKED: DATE: _____

APPROVED: DATE: _____

PRODUCT CODE SPECIFIC/XXX PRODUCT CODE GENERAL CHG 05/31/06

SCALE: 0.250

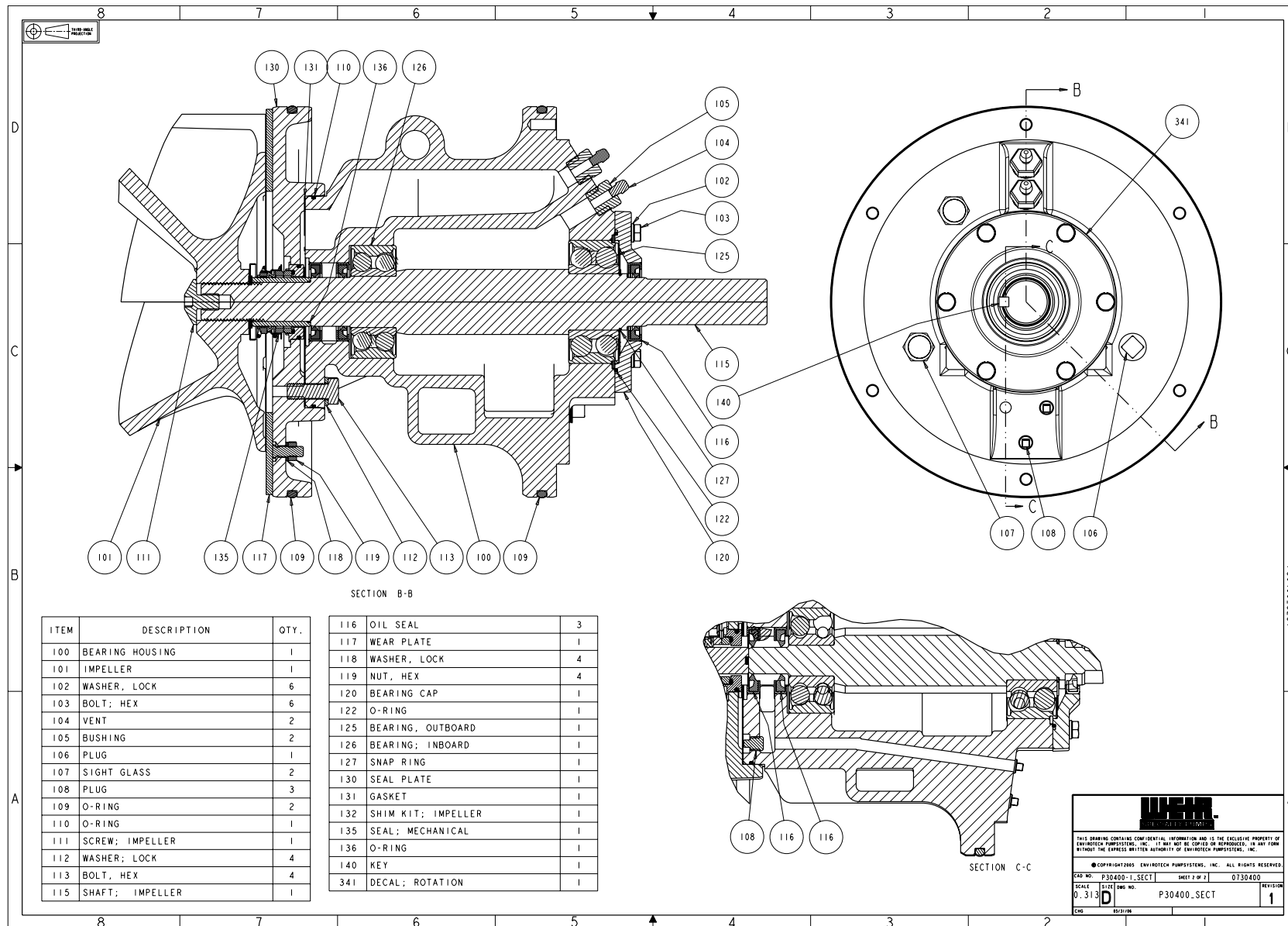
CHD NO. P30400-1, SECT SHEET 1 OF 2 PART NO. 0730400

SIZE: D

REVISION: 1

GENERAL ASSEMBLY
10" SELF-PRIMING PUMP
WSP PUMPS

10" WSP Cross Section Drawing



THIS DRAWING CONTAINS CONFIDENTIAL INFORMATION AND IS THE EXCLUSIVE PROPERTY OF ENVROTECH PUMP SYSTEMS, INC. IT MAY NOT BE COPIED OR REPRODUCED, IN ANY FORM WITHOUT THE EXPRESS WRITTEN AUTHORITY OF ENVROTECH PUMP SYSTEMS, INC.

©COPYRIGHT2005 ENVROTECH PUMP SYSTEMS, INC. ALL RIGHTS RESERVED.

DWG NO. P30400-1_SECT SHEET 2 OF 2 0130400

SCALE 1:125 DWG NO. P30400_SECT REVISION 1

CHK: [] DESIGN: []