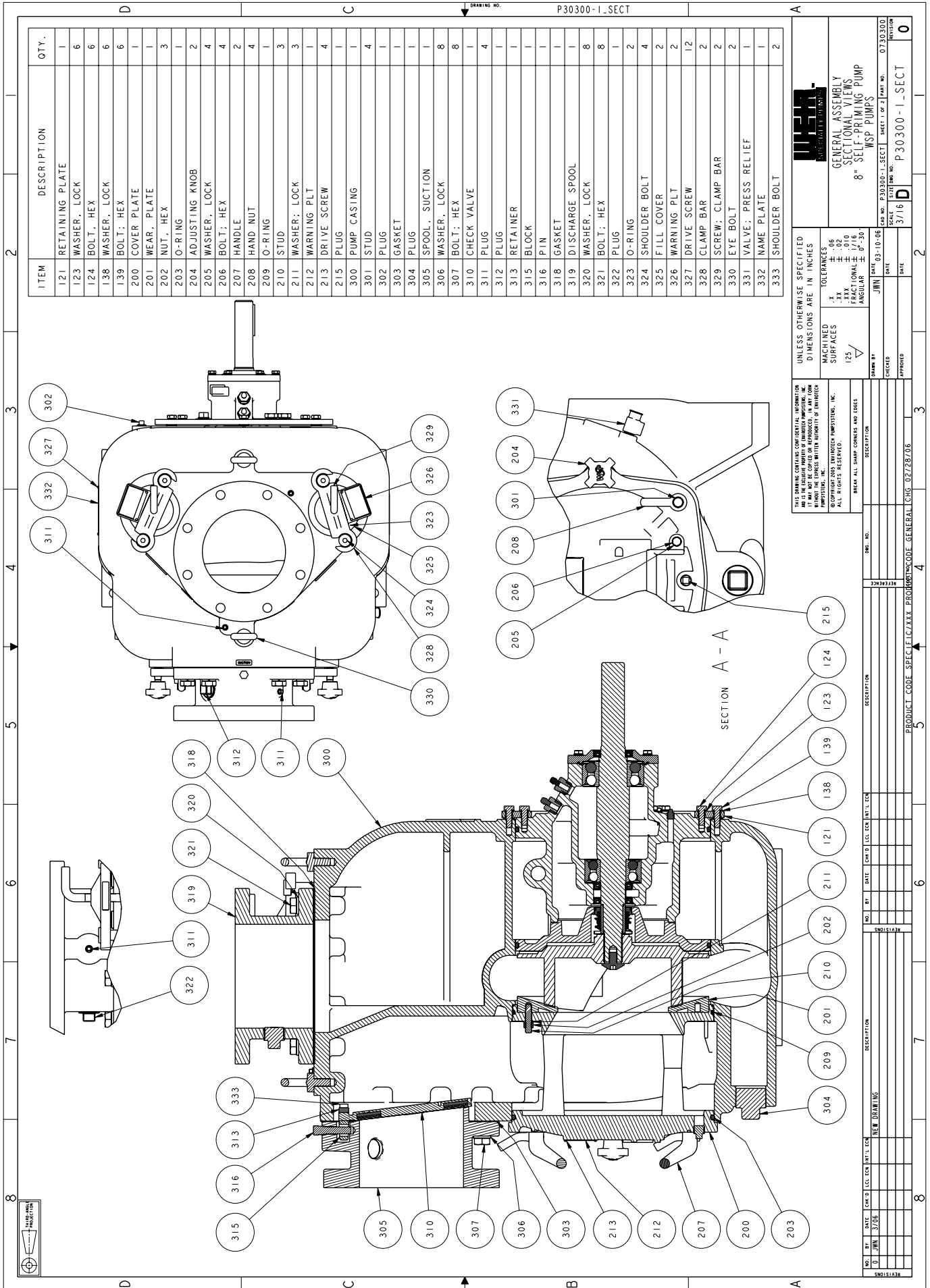


8" WSP Cross Section Drawing



| | |
|--|--|
| | |
| GENERAL ASSEMBLY SECTIONAL VIEWS 8" SELF-PRIMING PUMP WSP PUMPS | |
| SHEET NO. P30300-1-SECT DRAWING NO. 3/16 | SHEET 1 OF 2 PART NO. P30300-1-SECT REVISION 0 |

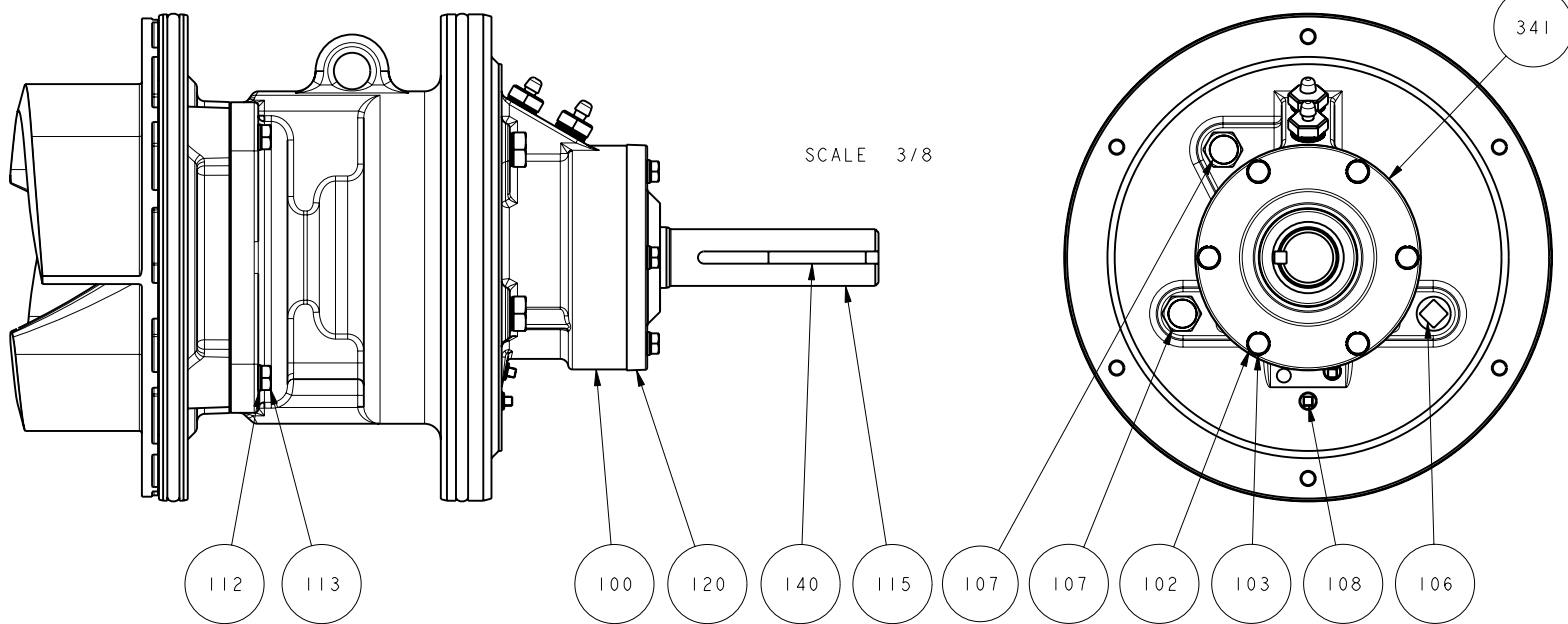
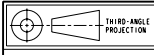
| | |
|--|--|
| UNLESS OTHERWISE SPECIFIED DIMENSIONS ARE IN INCHES MACHINED SURFACES 125 | TOLERANCES X ± .06 XX ± .02 FRACTIONAL 1/16 ANGULAR ± 0°-30' |
| DRAWN BY: JWM DATE: 03/10/06 | CHECKED: [] APPROVED: [] |

THIS DRAWING CONTAINS CONFIDENTIAL INFORMATION AND IS THE PROPERTY OF WEIR SELF-PRIMER PUMPS, INC. IT MAY NOT BE COPIED OR REPRODUCED, IN ANY FORM OR BY ANY MEANS, WITHOUT THE WRITTEN PERMISSION OF WEIR SELF-PRIMER PUMPS, INC. ALL RIGHTS RESERVED.
 © COPYRIGHT 2005 WEIR SELF-PRIMER PUMPS, INC.

| REV. | DATE | DESCRIPTION |
|------|-----------|-------------|
| 0 | JUN 13/06 | NEW DRAWING |
| 1 | | |
| 2 | | |
| 3 | | |
| 4 | | |
| 5 | | |
| 6 | | |
| 7 | | |
| 8 | | |

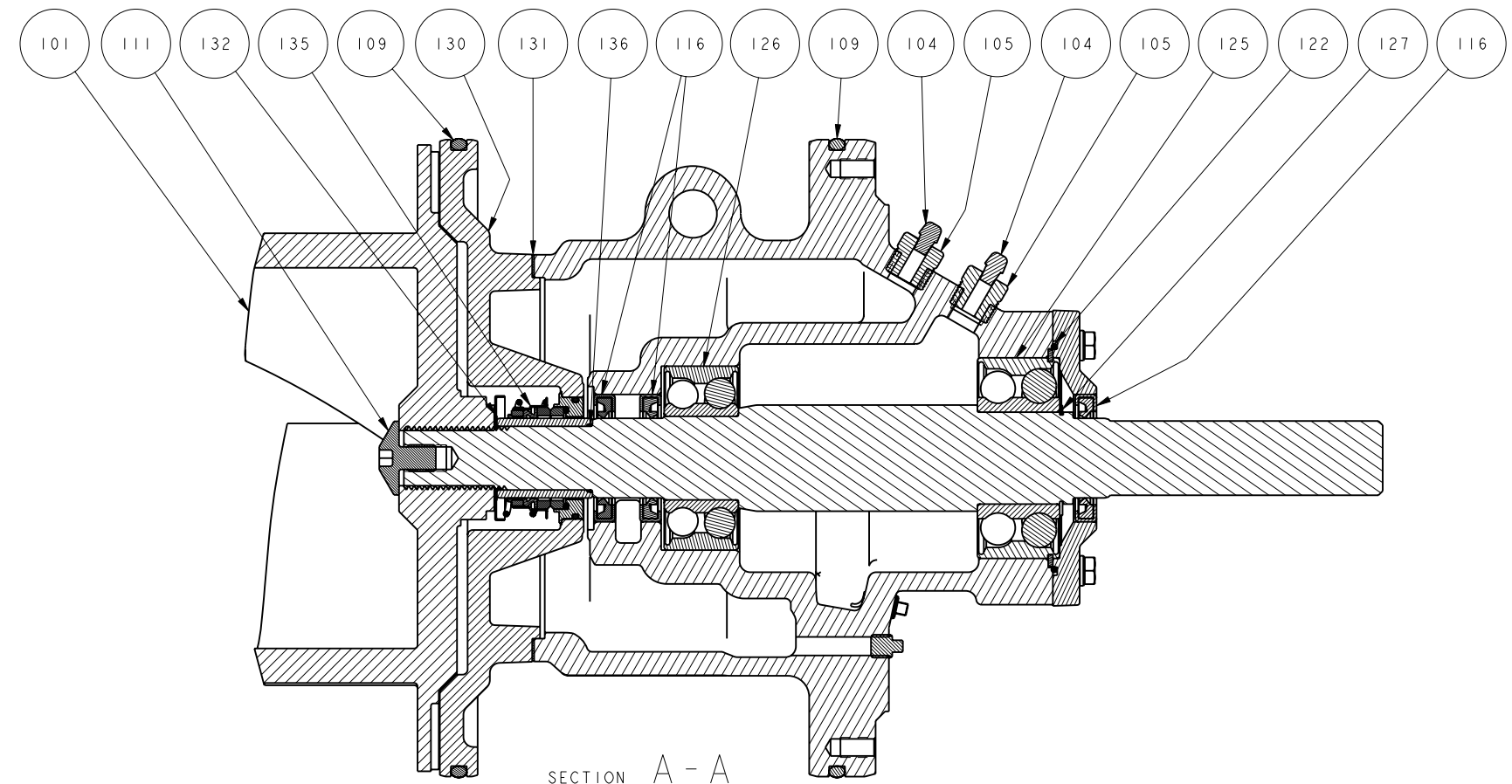
| | |
|---|-----------------------------------|
| PRODUCT CODE: SPEC/IC/XXX-PRODMODE GENERAL CHG: 02/28/06 | BREAK ALL SHARP CORNERS AND EDGES |
|---|-----------------------------------|

8 7 6 5 4 3 2



ROTATING ASSEMBLY

| ITEM | DESCRIPTION | QTY. |
|------|--------------------|------|
| 100 | BEARING HOUSING | 1 |
| 101 | IMPELLER | 1 |
| 102 | WASHER, LOCK | 6 |
| 103 | BOLT; HEX | 6 |
| 104 | VENT | 2 |
| 105 | BUSHING | 2 |
| 106 | PLUG | 1 |
| 107 | SIGHT GLASS | 2 |
| 108 | PLUG | 3 |
| 109 | O-RING | 2 |
| 111 | SCREW; IMPELLER | 1 |
| 112 | WASHER, LOCK | 4 |
| 113 | BOLT; HEX | 4 |
| 115 | SHAFT; IMPELLER | 1 |
| 116 | OIL SEAL | 3 |
| 120 | BEARING CAP | 1 |
| 122 | O-RING | 1 |
| 125 | BEARING, OUTBOARD | 1 |
| 126 | BEARING; INBOARD | 1 |
| 127 | SNAP RING | 1 |
| 130 | SEAL PLATE | 1 |
| 131 | GASKET; SEAL PLATE | 1 |
| 132 | SHIM KIT; IMPELLER | 1 |
| 135 | SEAL; MECHANICAL | 1 |
| 136 | O-RING | 1 |
| 140 | KEY; SQ. | 1 |
| 341 | DECAL; ROTATION | 1 |



DRAWING NO. P30300-1 SECT

WEH
SPECIALTY PUMPS

THIS DRAWING CONTAINS CONFIDENTIAL INFORMATION AND IS THE EXCLUSIVE PROPERTY OF ENVIROTECH PUMP SYSTEMS, INC. IT MAY NOT BE COPIED OR REPRODUCED, IN ANY FORM WITHOUT THE EXPRESS WRITTEN AUTHORITY OF ENVIROTECH PUMP SYSTEMS, INC.

© COPYRIGHT 2005 ENVIROTECH PUMP SYSTEMS, INC. ALL RIGHTS RESERVED.

| | |
|-----------------------|-----------------------|
| CAD NO. P30300-1_SECT | SHEET 2 OF 2 |
| SCALE 5/16 D | DWG NO. P30300-1_SECT |
| CHG 02/28/06 | REVISION 1 |

8 7 6 5 4 3 2