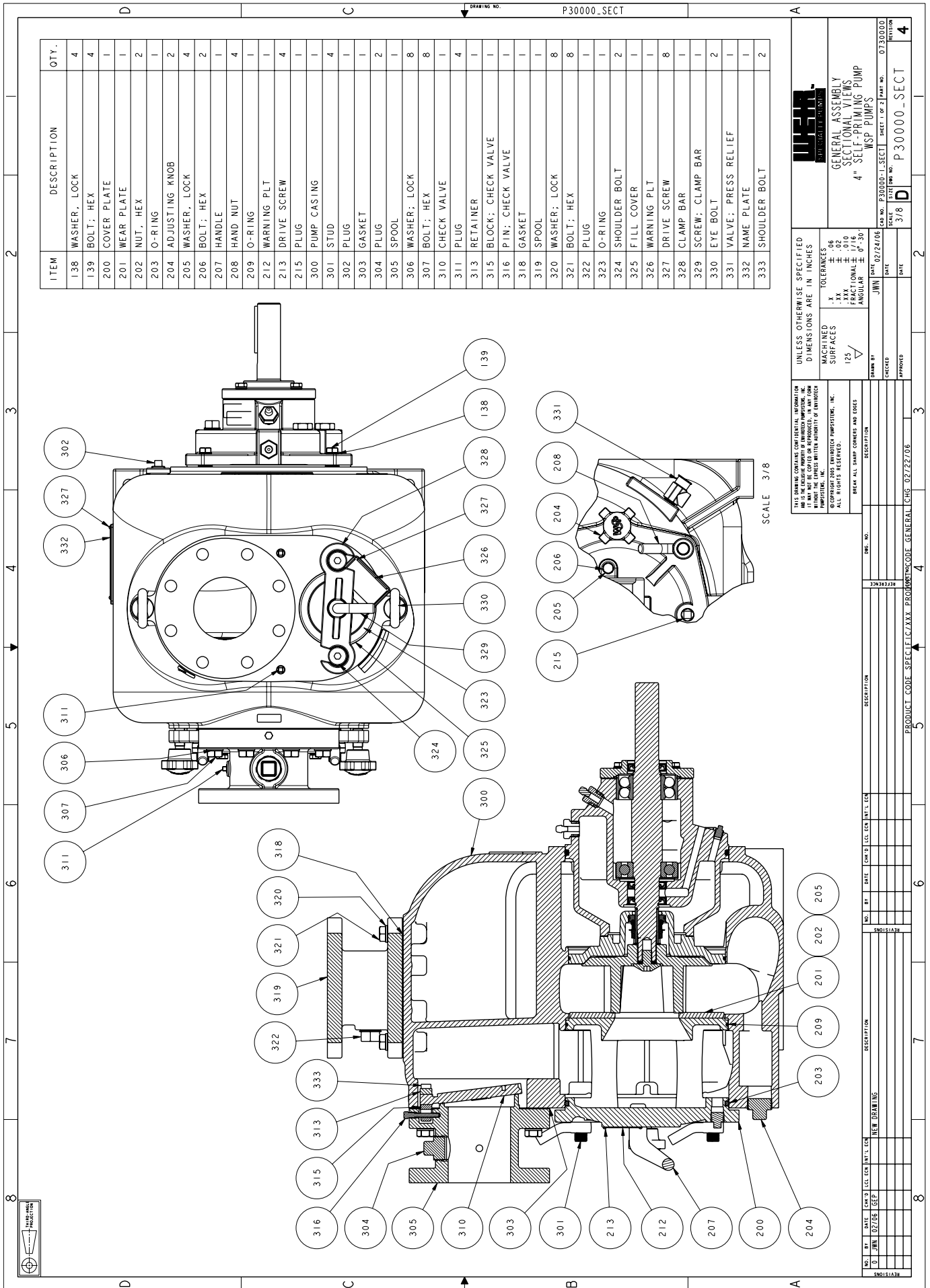
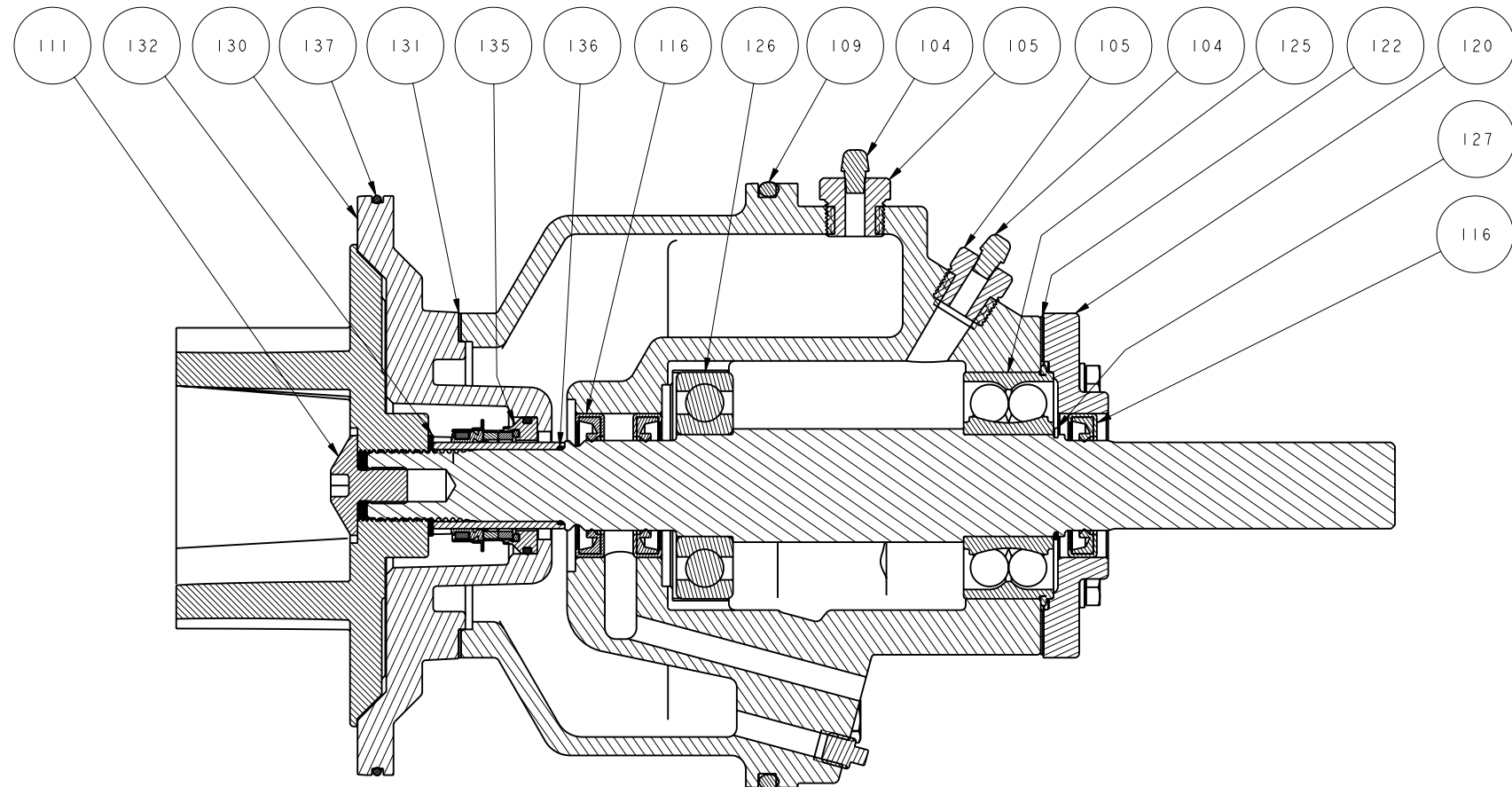
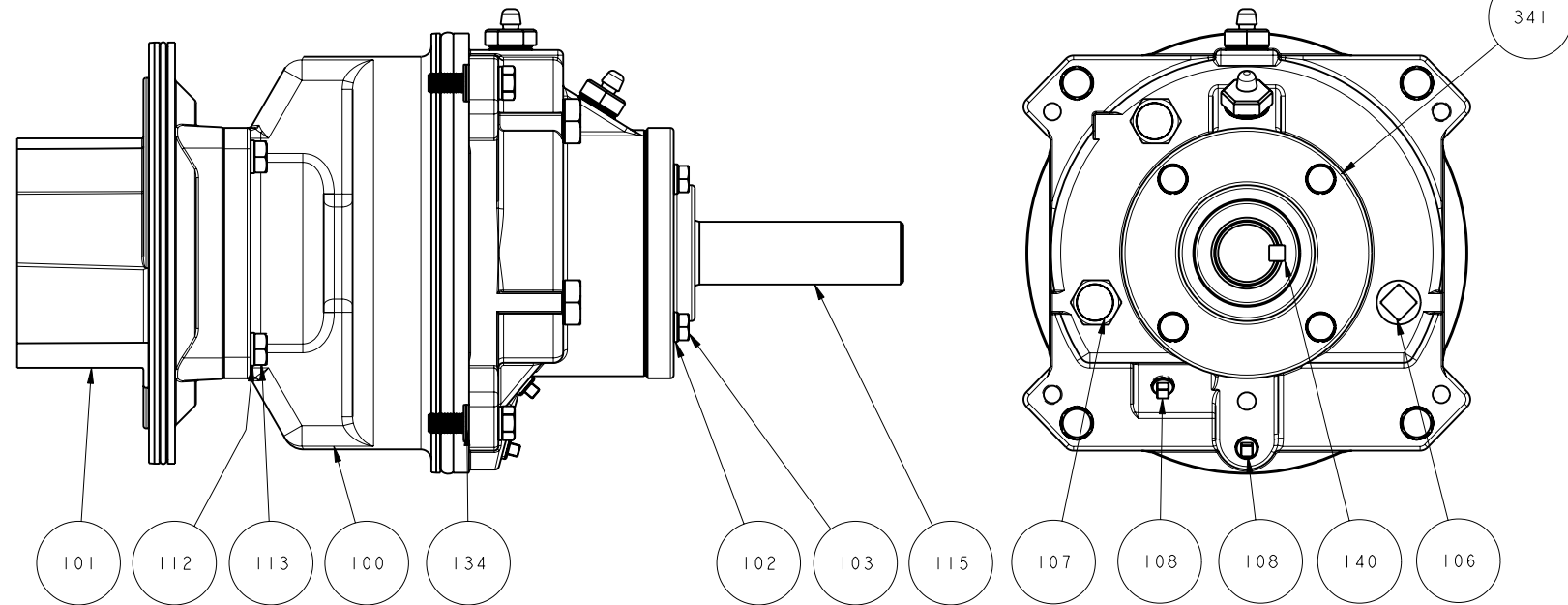
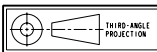


4" WSP Cross Section Drawing



ITEM	DESCRIPTION	QTY.
138	WASHER, LOCK	4
139	BOLT: HEX	4
200	COVER PLATE	1
201	WEAR PLATE	1
202	NUT, HEX	2
203	O-RING	1
204	ADJUSTING KNOB	2
205	WASHER, LOCK	4
206	BOLT: HEX	2
207	HANDLE	1
208	HAND NUT	4
209	O-RING	1
212	WARNING PLT	1
213	DRIVE SCREW	4
215	PLUG	1
300	PUMP CASING	1
301	STUD	4
302	PLUG	1
303	GASKET	1
304	PLUG	2
305	SPOOL	1
306	WASHER, LOCK	8
307	BOLT: HEX	8
310	CHECK VALVE	1
311	PLUG	4
313	RETAINER	1
315	BLOCK: CHECK VALVE	1
316	PIN: CHECK VALVE	1
318	GASKET	1
319	SPOOL	1
320	WASHER: LOCK	8
321	BOLT: HEX	8
322	PLUG	1
323	O-RING	1
324	SHOULDER BOLT	2
325	FILL COVER	1
326	WARNING PLT	1
327	DRIVE SCREW	8
328	CLAMP BAR	1
329	SCREW: CLAMP BAR	1
330	EYE BOLT	2
331	VALVE: PRESS RELIEF	1
332	NAME PLATE	1
333	SHOULDER BOLT	2

		GENERAL ASSEMBLY SECTION 4" SELF-PRIMING PUMP WSP PUMPS	
UNLESS OTHERWISE SPECIFIED DIMENSIONS ARE IN INCHES		TOLERANCES .X ± .06 .XX ± .02 .XXX ± .01 FRACTIONAL ± 1/16 ANGULAR ± 0°-30'	
MACHINED SURFACES 125		DRAWN BY: JUN 02/22/06 CHECKED: DATE: APPROVED:	
THIS DRAWING CONTAINS CONFIDENTIAL INFORMATION IT MAY NOT BE COPIED OR REPRODUCED, IN ANY FORM OR BY ANY MEANS, WITHOUT THE WRITTEN AUTHORITY OF WEIR PUMPSTEERING, INC. © COPYRIGHT 2005 WEIR PUMPSTEERING, INC. ALL RIGHTS RESERVED.		BREAK ALL SHARP CORNERS AND EDGES	
DESCRIPTION:		PRODUCT CODE: SPEC1E/C/XXX-PROG/INT/06	
NO.	BY	DATE	DESCRIPTION
0	JUN	02/06	NEW DRAWING
NO. OF SHEETS: 1 SHEET NO.: 1 OF 1		PART NO.: P30000-SECT 4	



SECTION A - A
SCALE 3/4

ROTATING ASSEMBLY		
ITEM	DESCRIPTION	QTY.
100	BEARING HOUSING	1
101	IMPELLER	1
102	WASHER, LOCK	4
103	BOLT; HEX	4
104	VENT	2
105	BUSHING	2
106	PLUG	1
107	SIGHT GLASS	2
108	PLUG	2
109	O-RING	1
111	SCREW; IMPELLER	1
112	WASHER, LOCK	4
113	BOLT, HEX	4
115	SHAFT; IMPELLER	1
116	SEAL; OIL	3
120	BEARING CAP	1
122	GASKET	1
125	BEARING; OUTBOARD	1
126	BEARING	1
127	SNAP RING	1
130	SEAL PLATE	1
131	GASKET	1
132	SHIM KIT; IMPELLER	1
134	SHIM KIT; ROTATING ASSM	1
135	MECHANICAL SEAL ASSEMBLY	1
136	O-RING	1
137	O-RING	1
140	KEY; SQ.	1
341	DECAL; ROTATION	1

WEH
SPECIALTY PUMPS

THIS DRAWING CONTAINS CONFIDENTIAL INFORMATION AND IS THE EXCLUSIVE PROPERTY OF ENVIROTECH PUMP SYSTEMS, INC. IT MAY NOT BE COPIED OR REPRODUCED, IN ANY FORM WITHOUT THE EXPRESS WRITTEN AUTHORITY OF ENVIROTECH PUMP SYSTEMS, INC.

© COPYRIGHT 2005 ENVIROTECH PUMP SYSTEMS, INC. ALL RIGHTS RESERVED.

CAD NO. P30000-1_SECT	SHEET 2 OF 2
SCALE 7/16	SIZE D
DWG NO. P30000_SECT	REVISION 4

CHG 02/15/06

DRAWING NO. P30000_SECT