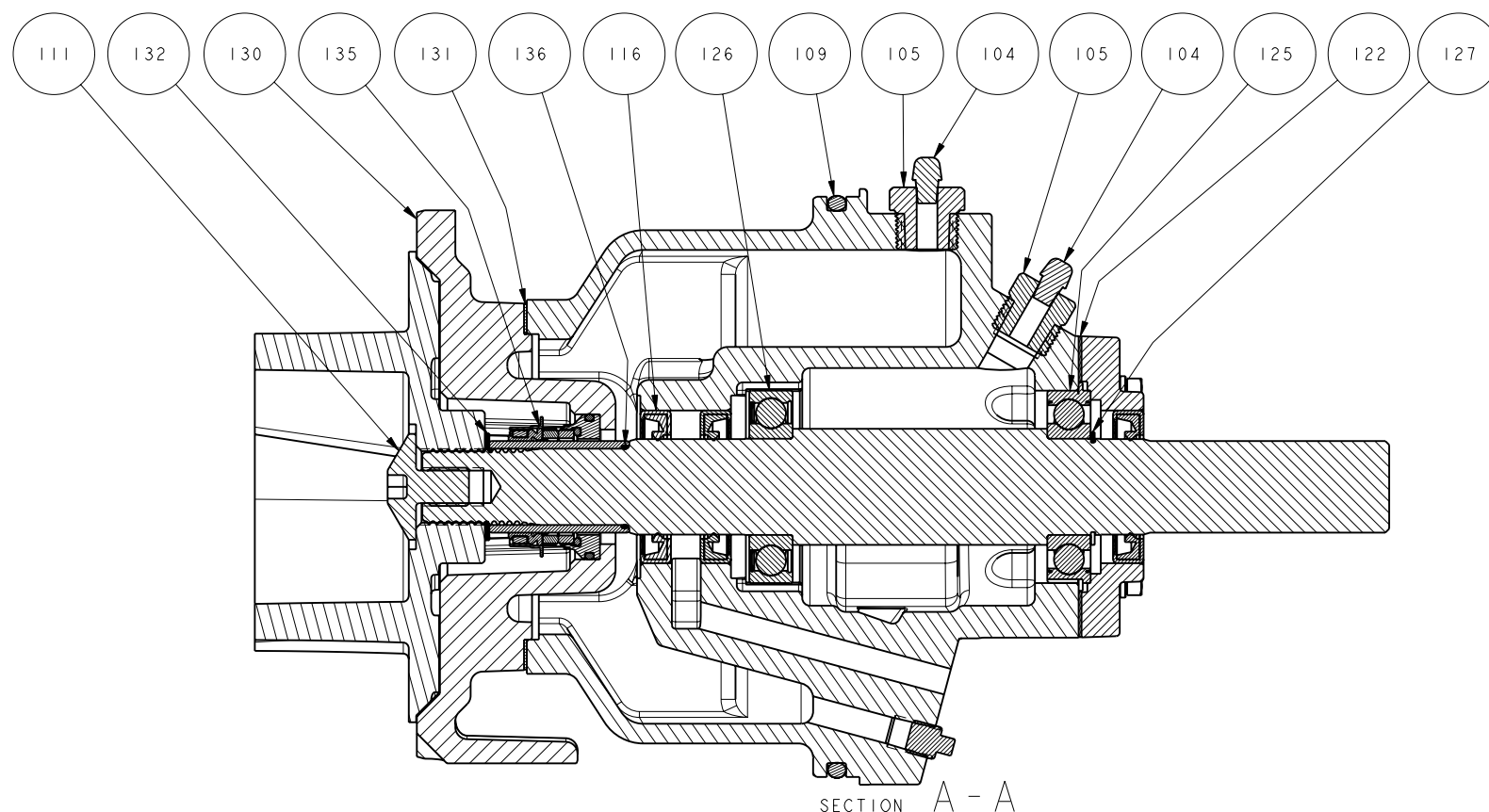
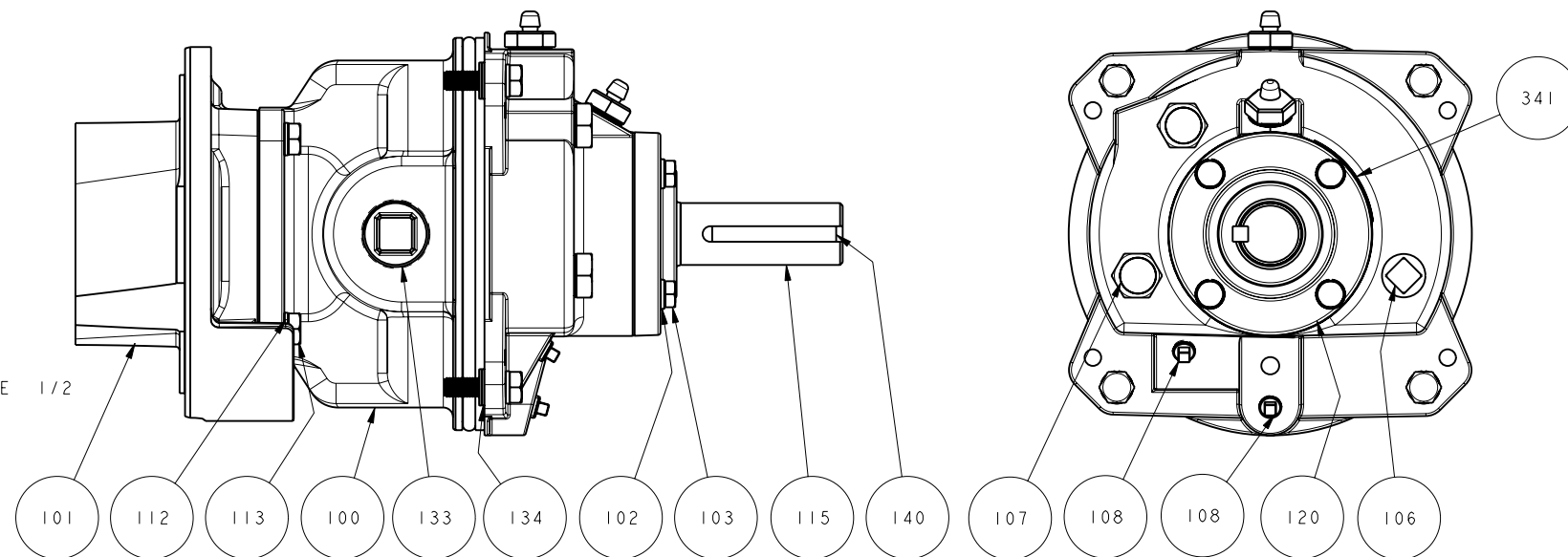


SCALE 1/2



SECTION A - A

ITEM	DESCRIPTION	QTY.
100	BEARING HSNG	1
101	IMPELLER	1
102	WASHER, LOCK	4
103	BOLT; HEX	4
104	VENT	2
105	BUSHING	2
106	PLUG	1
107	SIGHT GLASS	2
108	PLUG	2
109	O-RING	1
111	SCREW; IMPELLER	1
112	WASHER, LOCK	4
113	BOLT, HEX	4
115	SHAFT, IMPELLER	1
116	SEAL; OIL	3
120	BEARING CAP	1
122	GASKET	1
125	BEARING; OUTBOARD	1
126	BEARING; INBOARD	1
127	SNAP RING	1
130	SEAL PLATE	1
131	GASKET	1
132	SHIM KIT; IMPELLER	1
133	PLUG	1
134	SHIM KIT; ROTATING ASSM	1
135	MECHANICAL SEAL ASSEMBLY	1
136	O-RING	1
140	KEY; SQ.	1
341	DECAL; ROTATION	1

WEH
SPECIALTY PUMPS

THIS DRAWING CONTAINS CONFIDENTIAL INFORMATION AND IS THE EXCLUSIVE PROPERTY OF ENVIROTECH PUMP SYSTEMS, INC. IT MAY NOT BE COPIED OR REPRODUCED, IN ANY FORM WITHOUT THE EXPRESS WRITTEN AUTHORITY OF ENVIROTECH PUMP SYSTEMS, INC.

© COPYRIGHT 2005 ENVIROTECH PUMP SYSTEMS, INC. ALL RIGHTS RESERVED.

CAD NO. 30200-1_SECT	SHEET 2 OF 2
SCALE 5/8	SIZE D
DWG NO. P30200_SECT	REVISION 4
CHG 02/14/06	

DRAWING NO. P30200_SECT