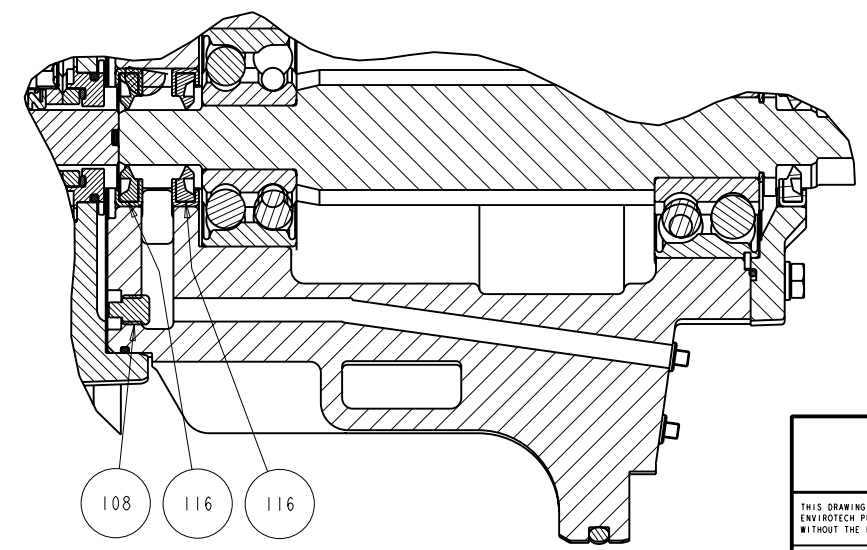


SECTION B-B

ITEM	DESCRIPTION	QTY.
100	BEARING HOUSING	1
101	IMPELLER	1
102	WASHER, LOCK	6
103	BOLT; HEX	6
104	VENT	2
105	BUSHING	2
106	PLUG	1
107	SIGHT GLASS	2
108	PLUG	3
109	O-RING	2
110	O-RING	1
111	SCREW; IMPELLER	1
112	WASHER; LOCK	4
113	BOLT, HEX	4
115	SHAFT; IMPELLER	1

116	OIL SEAL	3
117	WEAR PLATE	1
118	WASHER, LOCK	4
119	NUT, HEX	4
120	BEARING CAP	1
122	O-RING	1
125	BEARING, OUTBOARD	1
126	BEARING; INBOARD	1
127	SNAP RING	1
130	SEAL PLATE	1
131	GASKET	1
132	SHIM KIT; IMPELLER	1
135	SEAL; MECHANICAL	1
136	O-RING	1
140	KEY	1
341	DECAL; ROTATION	1



SECTION C-C

WPM
SPECIALTY PUMPS

THIS DRAWING CONTAINS CONFIDENTIAL INFORMATION AND IS THE EXCLUSIVE PROPERTY OF ENVIROTECH PUMP SYSTEMS, INC. IT MAY NOT BE COPIED OR REPRODUCED, IN ANY FORM WITHOUT THE EXPRESS WRITTEN AUTHORITY OF ENVIROTECH PUMP SYSTEMS, INC.

© COPYRIGHT 2005 ENVIROTECH PUMP SYSTEMS, INC. ALL RIGHTS RESERVED.

CAD NO.	P30400-1_SECT	SHEET 2 OF 2	0730400
SCALE	0.313	DWG NO.	P30400_SECT
CHG	05/31/06	REVISION	1

DRAWING NO. P30400_SECT